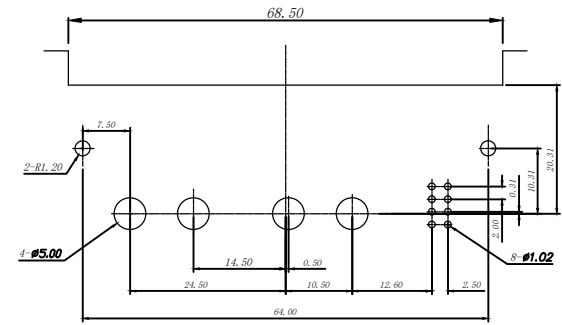
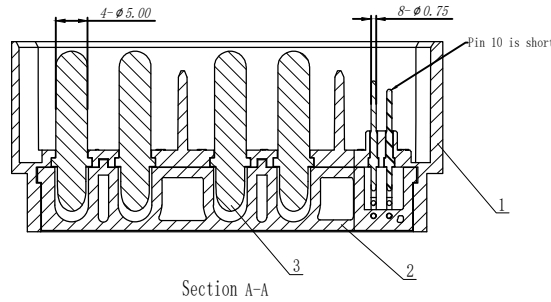
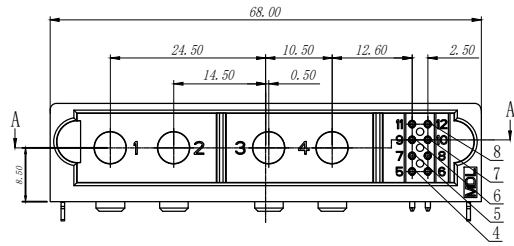
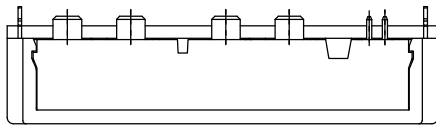
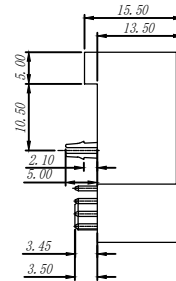
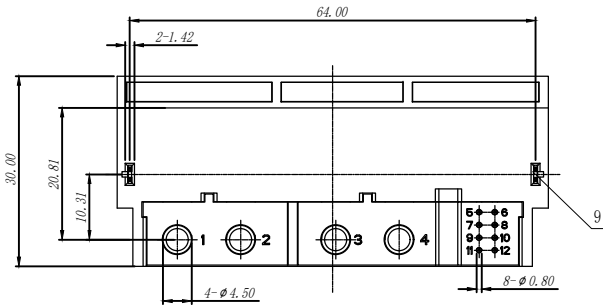


Customer Drawing

Rev.	ECN No.	DESCRIPTION	DATE	APPROVED
A		First release	11.22/20	David.Guo



Recommended PCB size (tolerance ±0.05mm)



Technical Requirements:

1. Materials:

- Insulator: engineering plastic, UL94-V0, black;
- φ5 PIN: copper alloy, silver plated on the surface;
- 22# PIN: copper alloy, gold plated on the surface;

2. Performance:

- Withstand voltage: φ5 contact: 1500V AC, 22# contact: 500V AC;
- Rated current: 22# contact 3A, φ5 contact 85A;
- Contact impedance (initial value): 22# contact ≤ 13mΩ, φ5 contact ≤ 1mΩ;

Normal state: ≥ 3000mΩ insulation resistance;

The mechanical life is 500 times;

3. Working environment:

Temperature: - 40 ~ 125 °C;

4. The products meet the latest RoHS standard;

序号	名称	料号	数量	备注	Unless otherwise specified Tolerances	Dimension unit	English unit	Metric	MM	Third-angle projection	Scale	First page Total 1 page
9	Fixed foot		2								1	
8	φ0.75 Contact Pin 4		2	Number11, 12	.X +/- 0.50							
7	φ0.75 Contact Pin short3		1	Number10	.XX +/- 0.30							
6	φ0.75 Contact Pin 3		1	Number9	.XXX +/-							
5	φ0.75 Contact Pin2		2	Number7, 8	Angle +/- 3°							
4	φ0.75 Contact Pin1		2	Number5, 6	Material: \							
3	φ5 Contact Pin		4	Number1, 2, 3, 4								
2	Plug Pressing Plate		1									
1	JDC 12 core insulator		1									
					Responsible person	Date	MEDLON HK Industrial Co., Ltd.					
					Drawing by:							
					Checked by:							
					Approved by:							
					File path:		Name: JDC12 Core Power Connector Plug					
							DWG No.: JDC-12T1-006					
							Version A					

